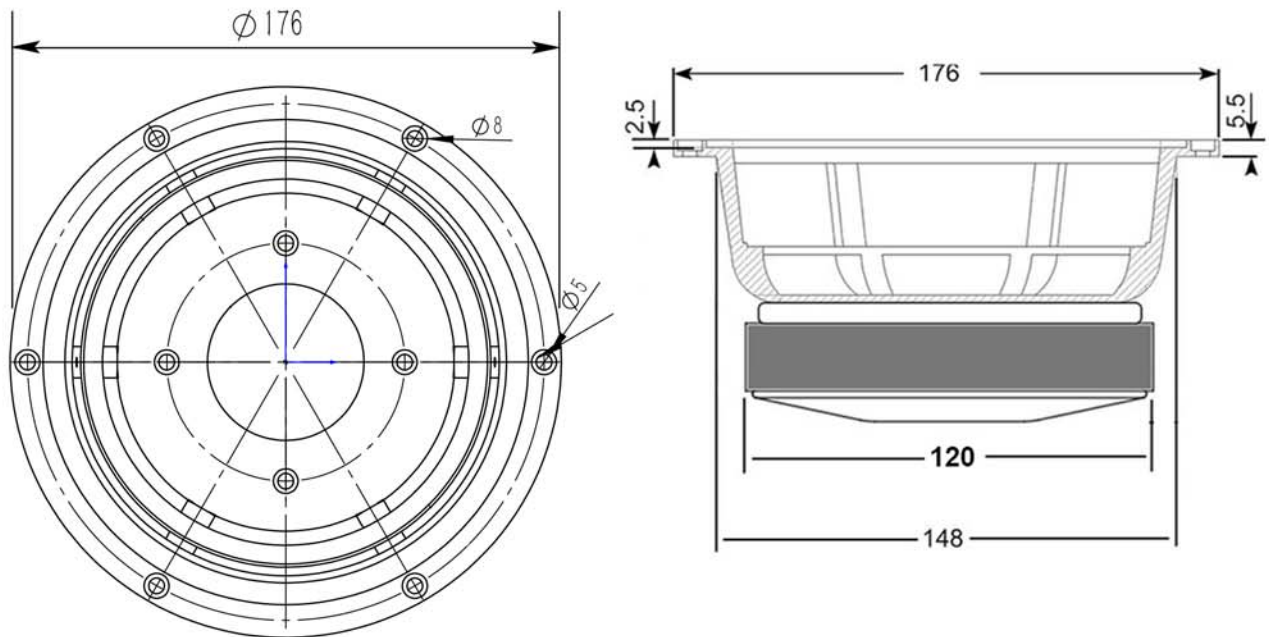
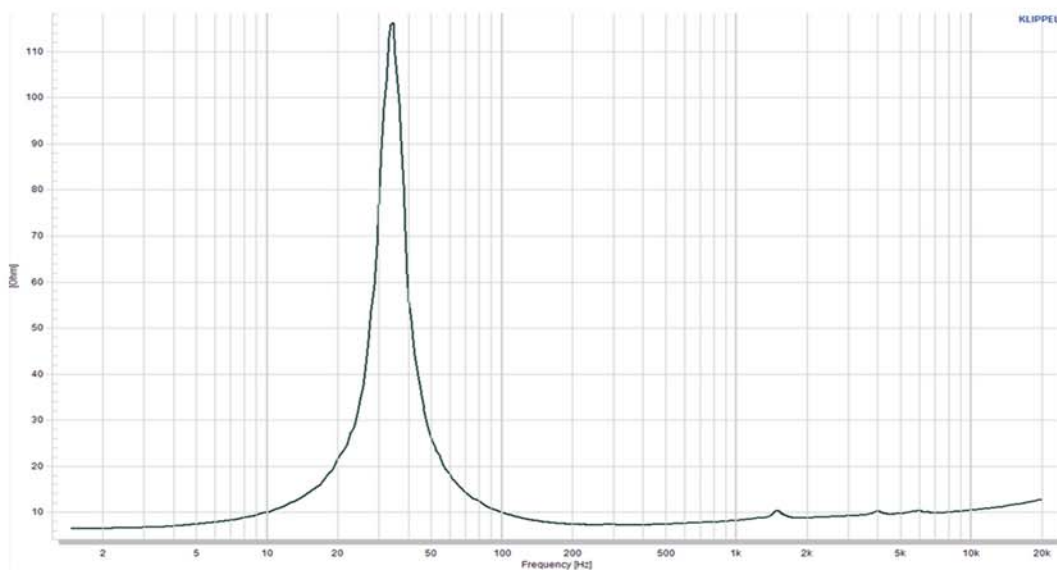
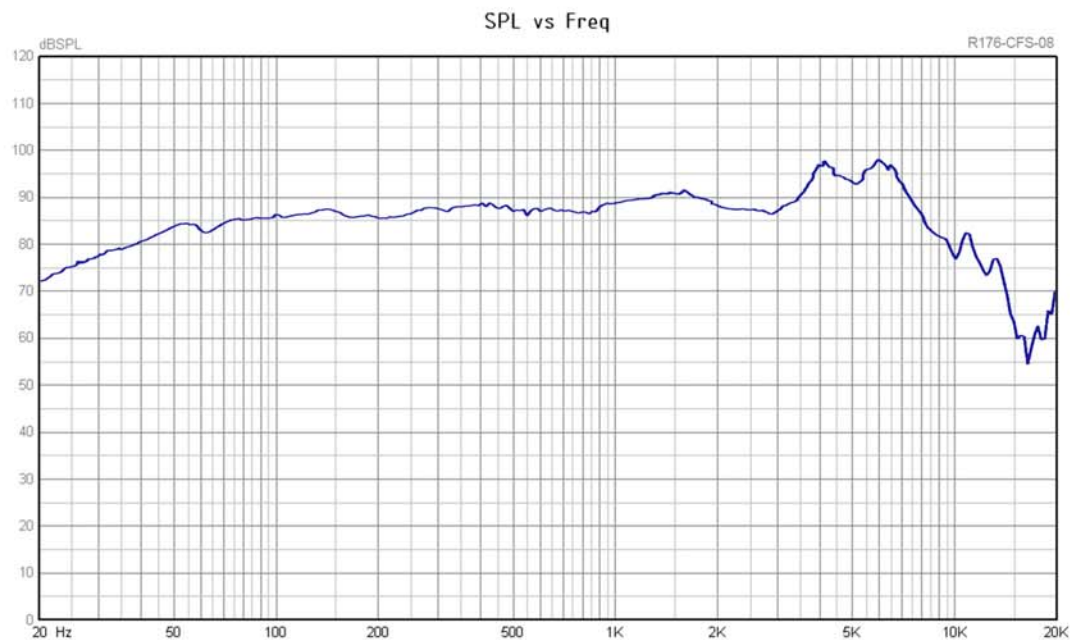


The R176-CFS-08 mid-woofer features a Rohacell<sup>®</sup> + non-woven Carbon Fibre sandwich cone. Extended bass and high detail makes the R176-CFS-08 mid-woofer the perfect choice for studio and hi-end home audio.



A large 39mm CCAW voice coil wound on a perforated fibreglass former produces high stability, exceptional power handling and excellent efficiency. This is augmented by an ultra-low distortion magnet assembly with aluminum stabilizing ring and extended copper cap on the pole. R176-CFS-08 is finished in a generously ventilated cast aluminum chassis and a flat Conex spider for proven durability.



### TS Parameters

Domain: Free air

$R_{vc} = 6.44 \text{ Ohms}$

$F_r = 36.34 \text{ Hz}$

$S_d = 132.000 \text{ cm}^2$

$Q_{ms} = 5.664$

$M_{ms} = 16.00 \text{ g}$

$Q_{es} = 0.359$

$C_{ms} = 1.20 \text{ mm/N}$

$Q_{ts} = 0.337$

$V_{as} = 32.85 \text{ m M}^3$

$N_0 = 0.42 \%$

$L_e = 0.131 \text{ mH}$

$BL = 8.10 \text{ TM}$

$SPL_0 = 88.00 \text{ dB}$

$X_{max} = 6 \text{ mm}$

Continuous Power = 75w (IEC 268-5)



Precision Engineered - Rigorously Tested - Meticulously Manufactured