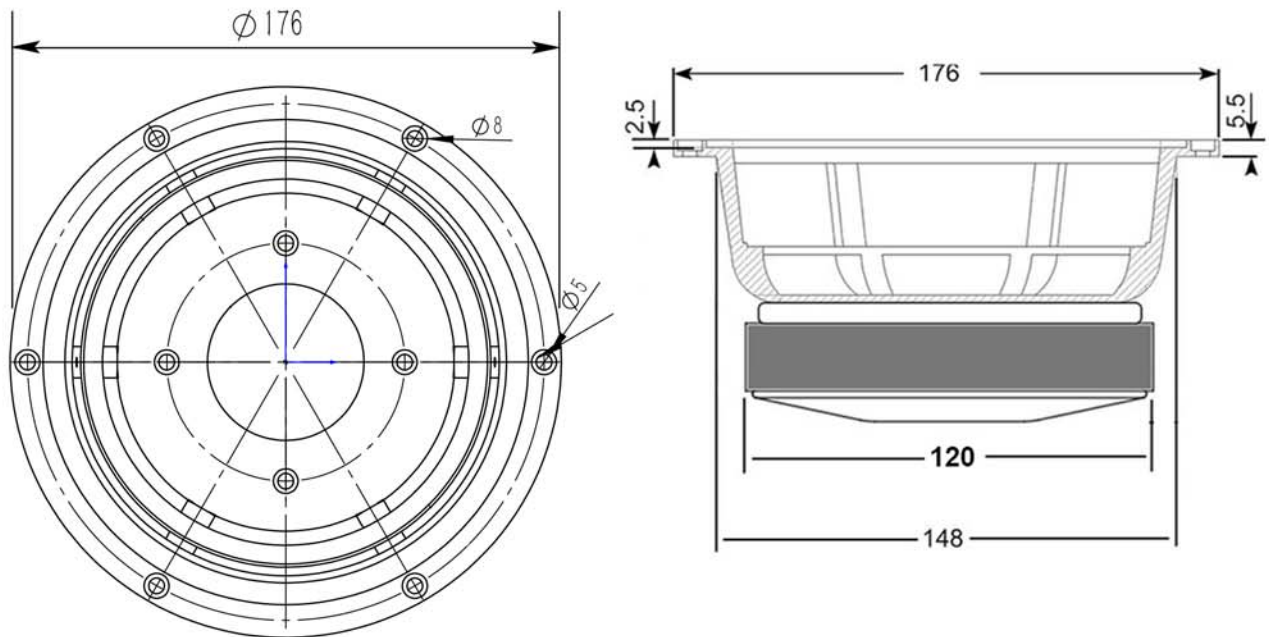
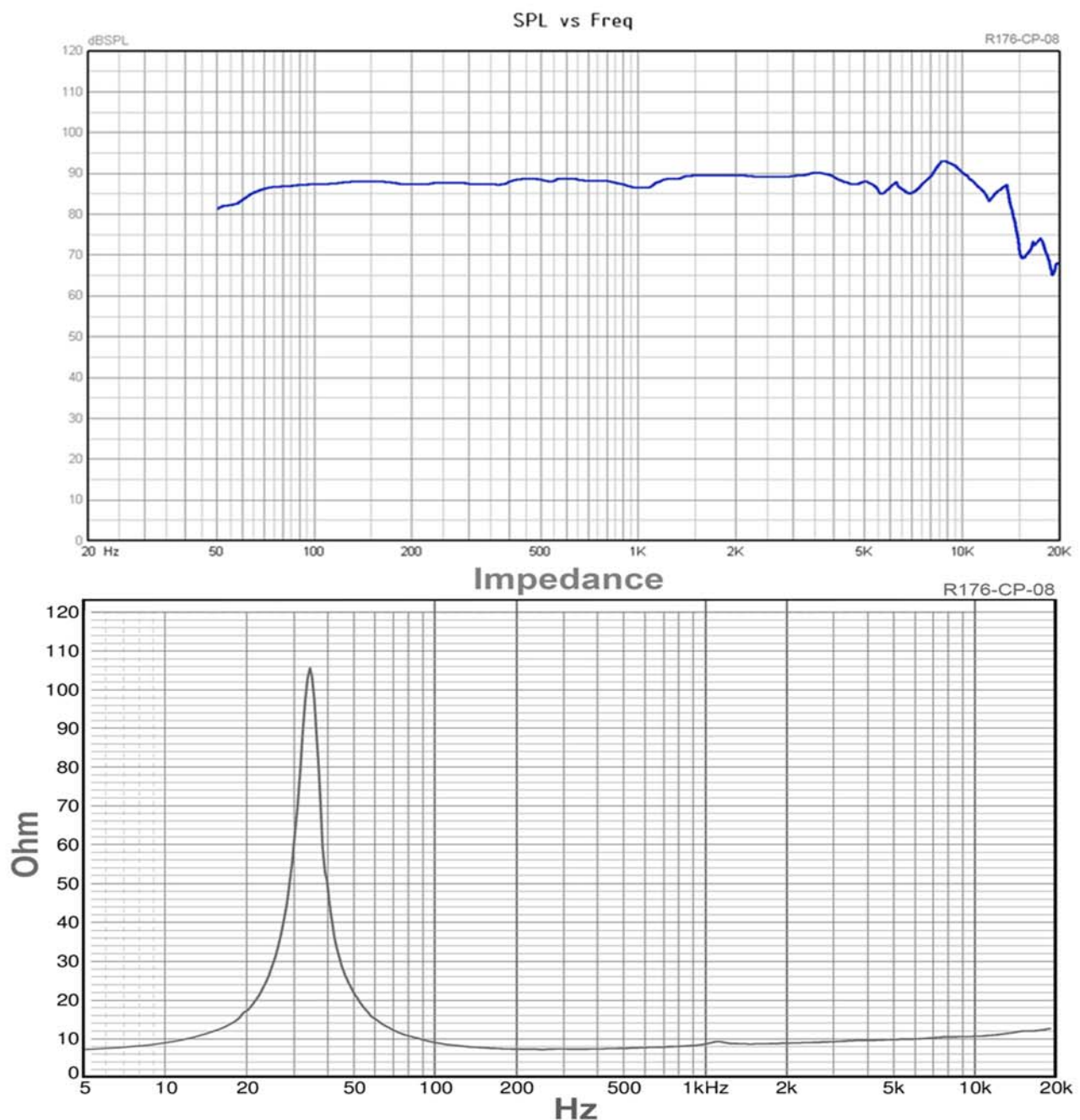


The R176-CP-08 mid-woofer features a manually coated Pulp / Carbon Fibre cone. Extended bass and high detail makes the R176-CP-08 mid-woofer the perfect choice for studio and hi-end home audio applications.



A large 39mm CCAW voice coil wound on a perforated fibreglass former produces high stability, exceptional power handling and excellent efficiency. This is augmented by an ultra-low distortion magnet assembly with aluminum stabilizing ring and extended copper cap on the pole. R176-CP-08 is finished in a generously ventilated cast aluminum chassis and a flat Conex spider for proven durability.



TS Parameters

Domain = Free Air

$R_{vc} = 6.35 \text{ Ohm}$

$F_r = 34 \text{ Hz}$

$S_d = 132.000 \text{ cm}^2$

$V_{as} = 30 \text{ m M}^3$

$C_{ms} = 1.16 \text{m M/N}$

$M_{ms} = 18.6 \text{ g}$

$BL = 8.00 \text{ T}\cdot\text{M}$

$Q_{ms} = 6.215$

$Q_{es} = 0.398$

$Q_{ts} = 0.374$

$L_e = 0.134 \text{ mH}$

$N_o = 0.29 \%$

$SPL_o = 87 \text{ dB}$

$X_{max} = 6 \text{ mm}$

Continuous Power = 75w (IEC 268-5)



Precision Engineered - Rigorously Tested - Meticulously Manufactured