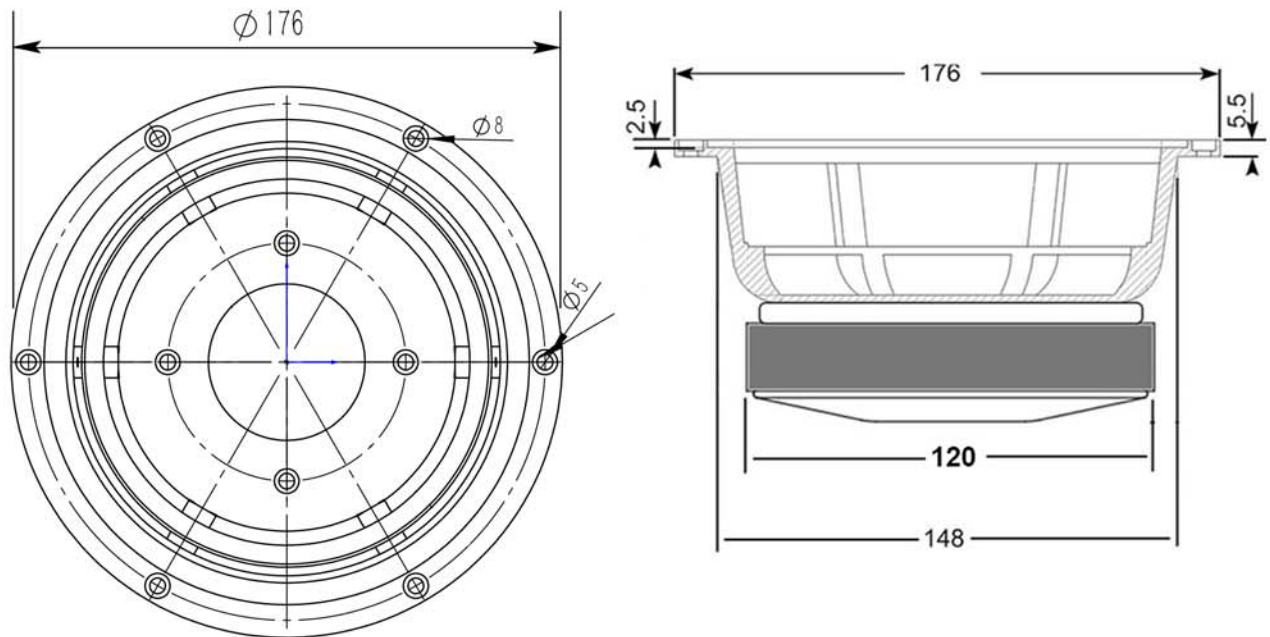
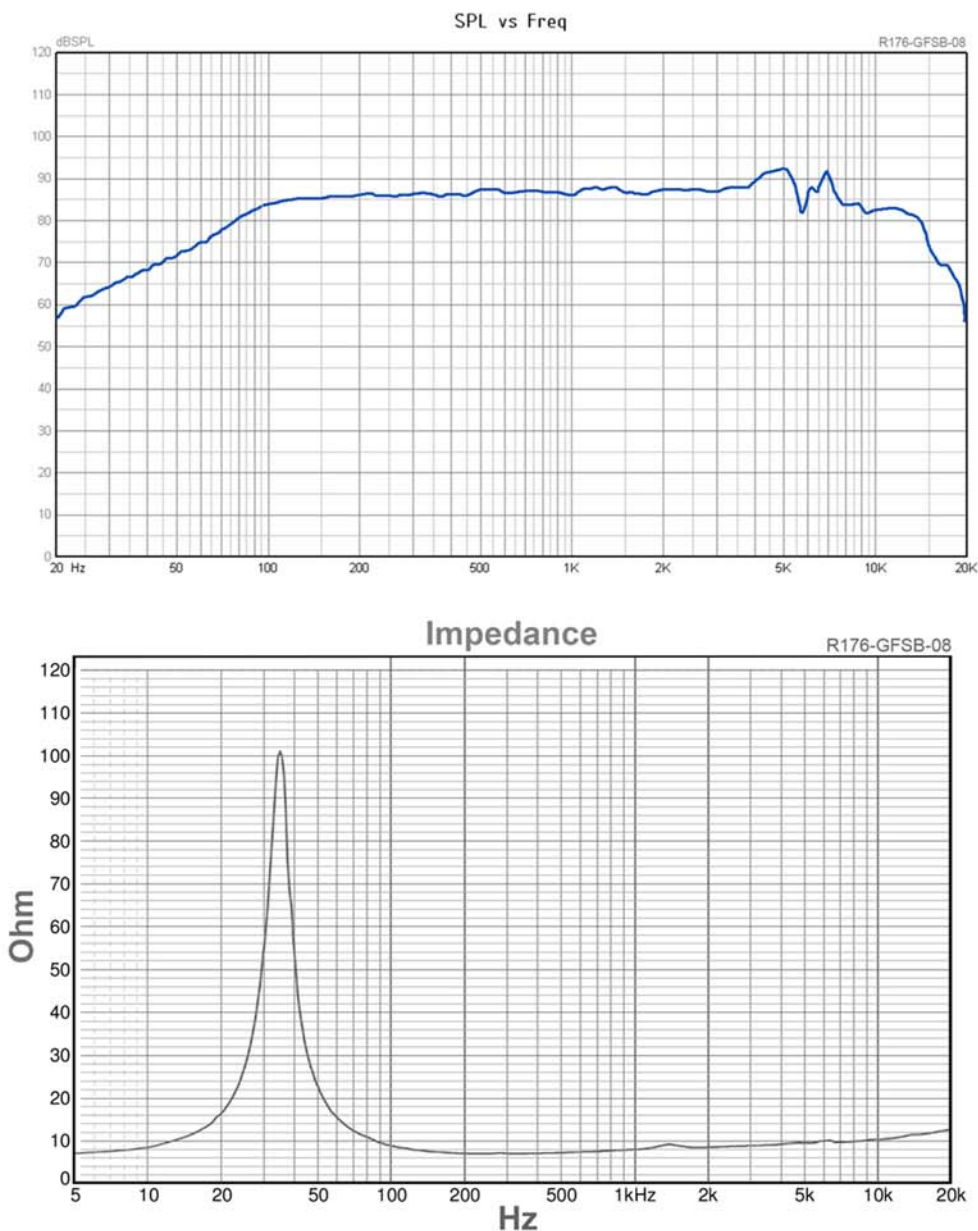


The R176-GFSB-08 mid-woofer features a Glass Fibre sandwich cone in a honeycomb pattern with aluminum dust cap. Extended bass and smooth midrange makes the R176-GFSB-08 mid-woofer the perfect choice for studio and hi-end home audio.



A large 39mm CCAW voice coil wound on a perforated fibreglass former produces high stability, exceptional power handling and excellent efficiency. This is augmented by an ultra-low distortion magnet assembly with aluminum stabilizing ring and extended copper cap on the pole. R176-GFSB-08 is finished in a generously ventilated cast aluminum chassis and a flat Conex spider for proven durability.



### TS Parameters

Domain: Free air

$R_{vc} = 6.40$  Ohms

$F_r = 35.66$  Hz

$S_d = 132.000$  cm<sup>2</sup>

$Q_{ms} = 5.860$

$M_{ms} = 18.58$  g

$Q_{es} = 0.397$

$C_{ms} = 1.07$  mm/N

$Q_{ts} = 0.372$

$V_{as} = 28.26$  m M<sup>3</sup>

$N_0 = 0.31$  %

$L_e = 0.132$  mH

$BL = 8.19$  TM

$SPL_o = 87.37$  dB

$X_{max} = 6$  mm

Continuous Power = 75w (IEC 268-5)



Precision Engineered - Rigorously Tested - Meticulously Manufactured