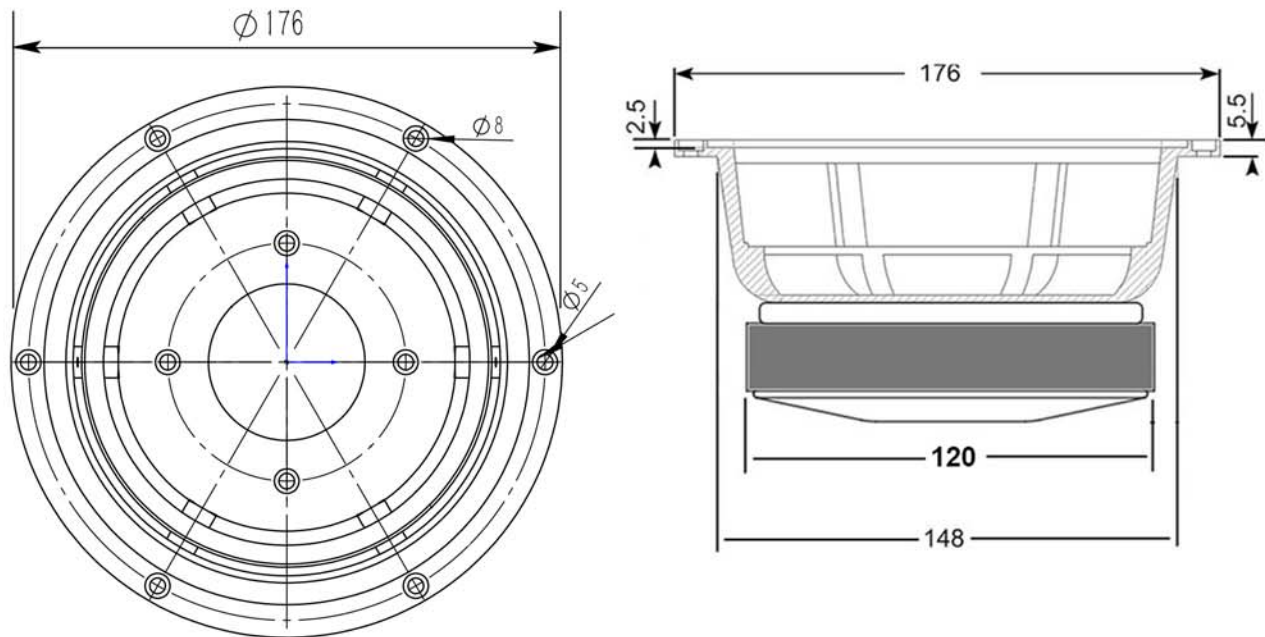
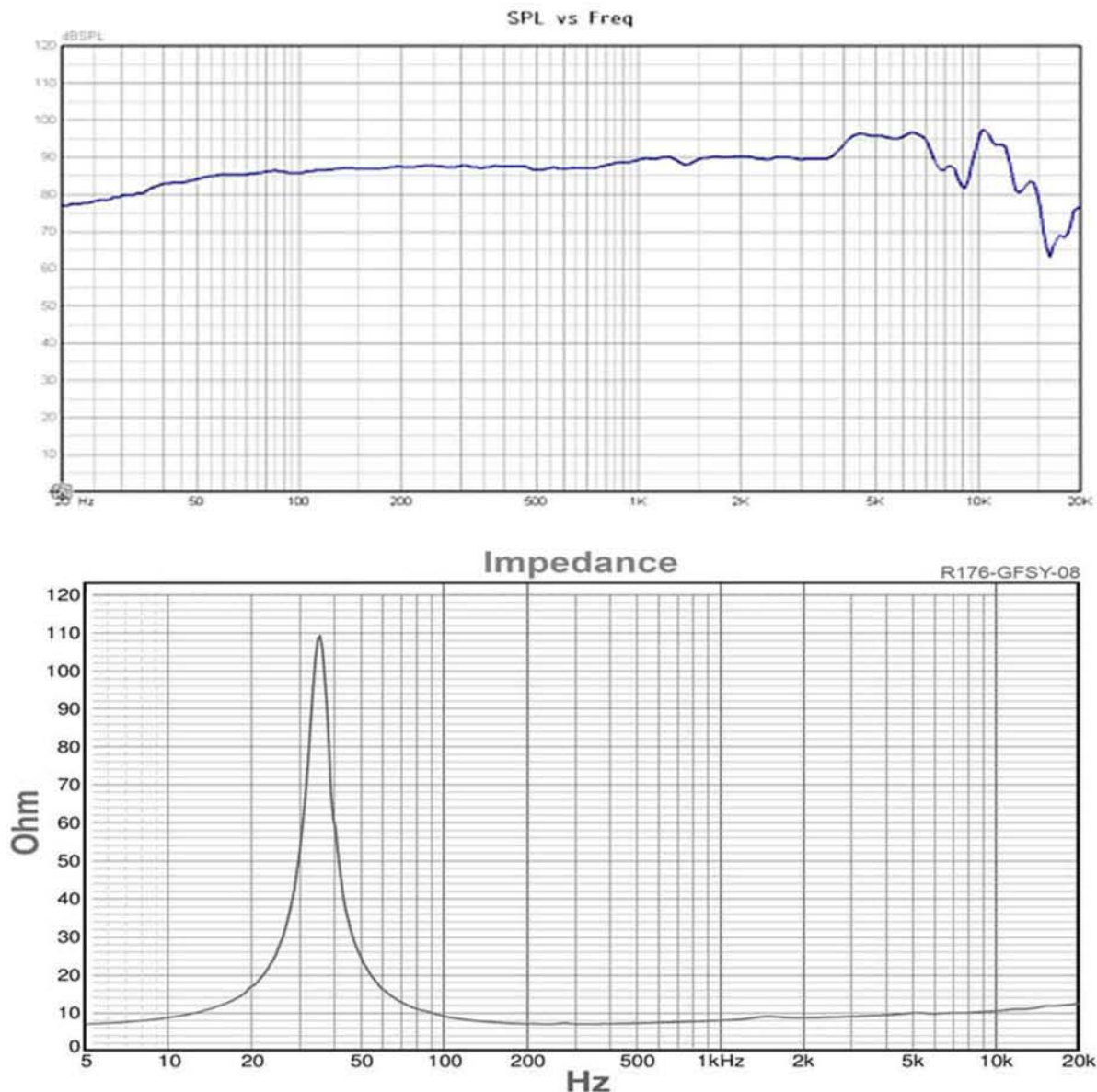


The R176-GFSY mid-woofer features a beautifully executed Glass Fibre sandwich cone in a honeycomb pattern. Extended bass and smooth response makes the R176-GFSY mid-woofer the perfect choice for studio and hi-end home audio applications.



A large 39mm CCAW voice coil wound on a perforated fiberglass former produces high stability, exceptional power handling and excellent efficiency. This is augmented by an ultra-low distortion magnet assembly with aluminum stabilizing ring and extended copper cap on the pole. R176-GFSY is finished in a generously ventilated cast aluminum chassis and a flat Conex spider for proven durability.



TS Parameters

Domain= Free Air
Revc= 6.500 Ohm
Fr= 34.000 Hz
Sd= 132.000 cm²
Vas= 29.000m M³
Cms= 1.160m M/N
Mms= 18.610 g
BL= 78.230 T·M
Qms= 6.256
Qes= 0.391
Qts= 0.360
Levc= 39.937121m mH
No= 0.29 %
SPLo= 87.00 db
Xmax= 6 mm
Continuous Power = 75w (IEC 268-5)



Precision Engineered - Rigorously Tested - Meticulously Manufactured