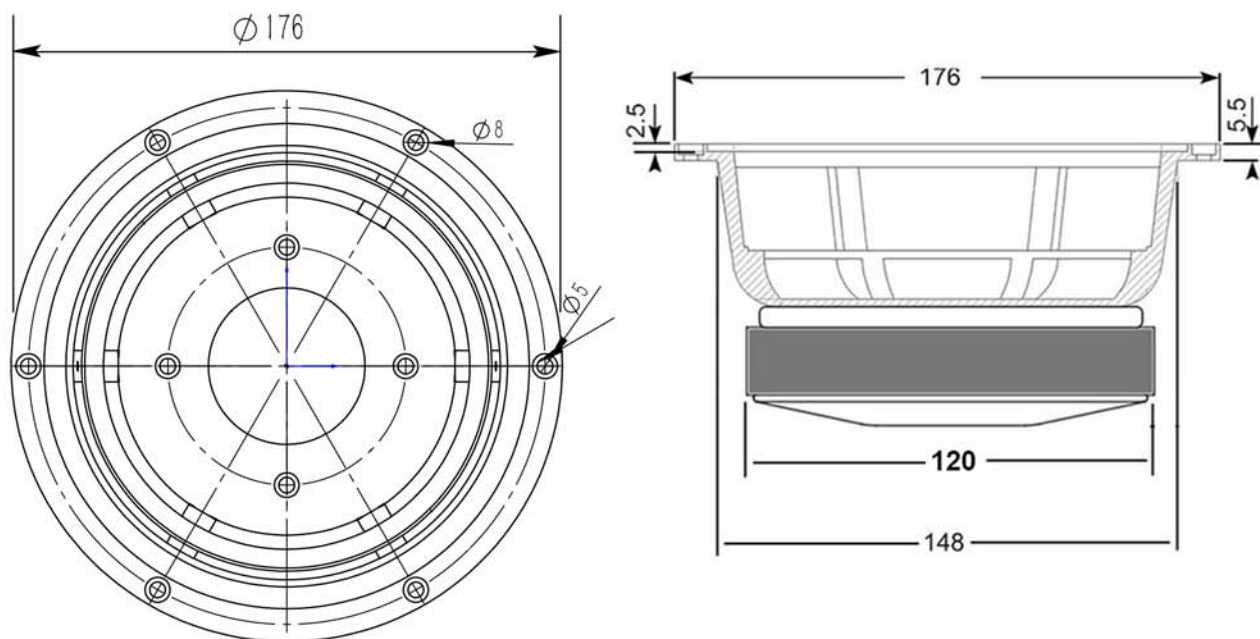
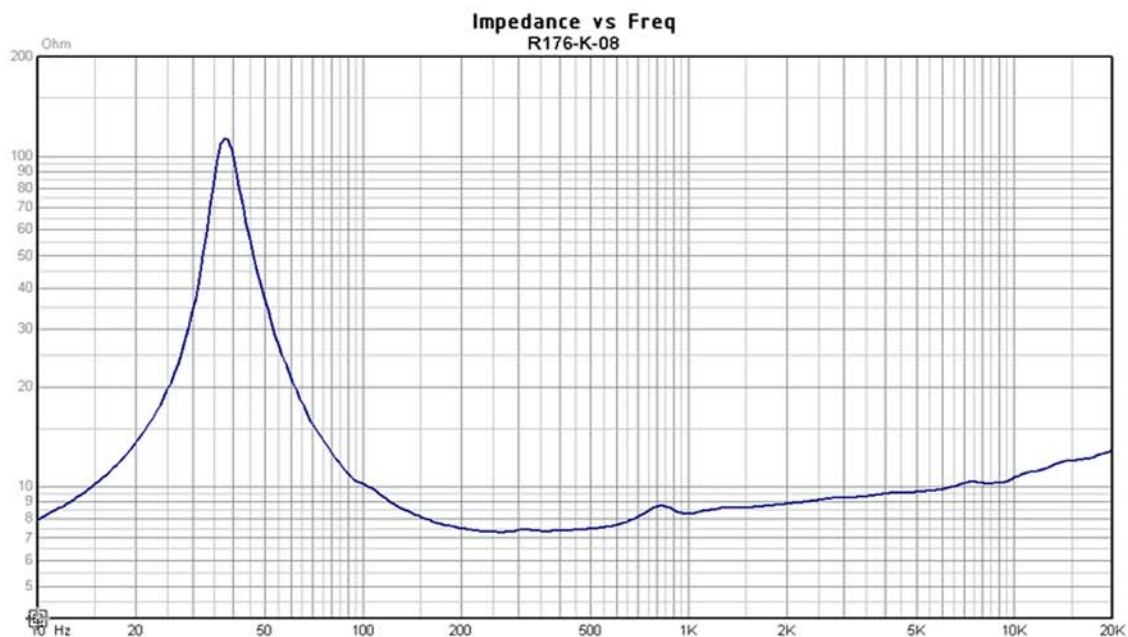
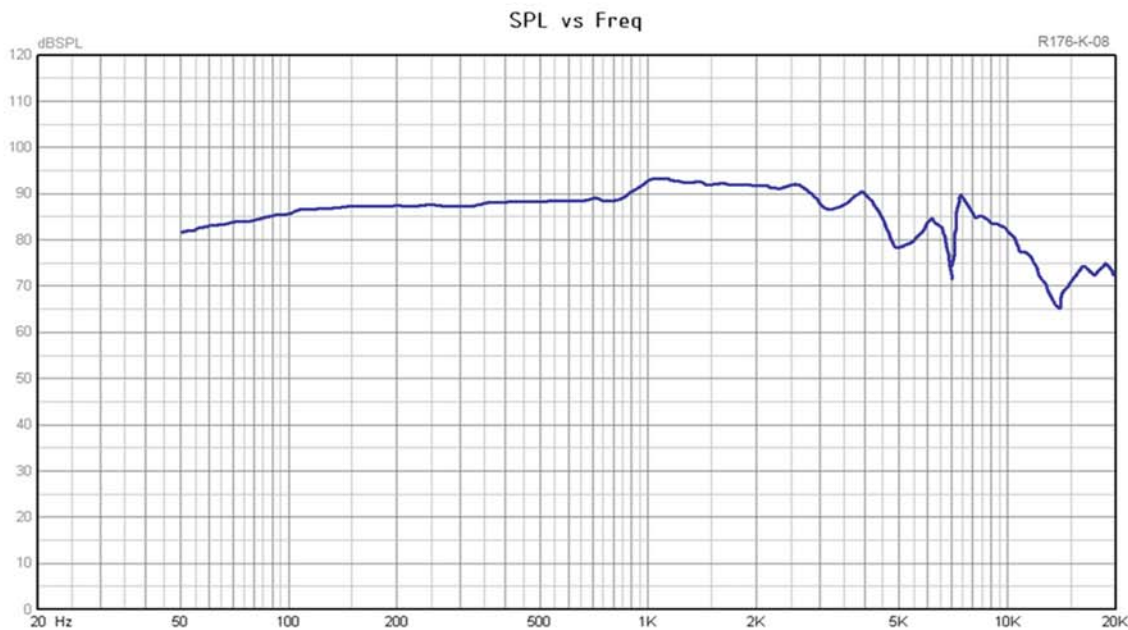


The R176-K-08 mid-woofer features a woven Kevlar cone. Extended bass and high detail makes the R176-K-08 mid-woofer the perfect choice for studio and hi-end home audio applications.



A large 39mm CCAW voice coil wound on a perforated fibreglass former produces high stability, exceptional power handling and excellent efficiency. This is augmented by an ultra-low distortion magnet assembly with aluminum stabilizing ring and extended copper cap on the pole. R176-K-08 is finished in a generously ventilated cast aluminum chassis and a flat Conex spider for proven durability.



TS Parameters

Domain= Free Air
Revc= 6.300 Ohm
Fr= 38.512 Hz
Sd= 132.000 cm²
Vas= 28.621m M³
Cms= 1.090m M/N
Mmd= 14.760 g
Mms= 15.672 g
BL= 7.896 T·M
Qms= 6.597
Qes= 0.383
Qts= 0.362
Levc= 39.931m mH
No= 0.413 %
SPLo= 88.173 db
Xmax= 6 mm
Continuous Power = 75w (IEC 268-5)



Precision Engineered - Rigorously Tested - Meticulously Manufactured