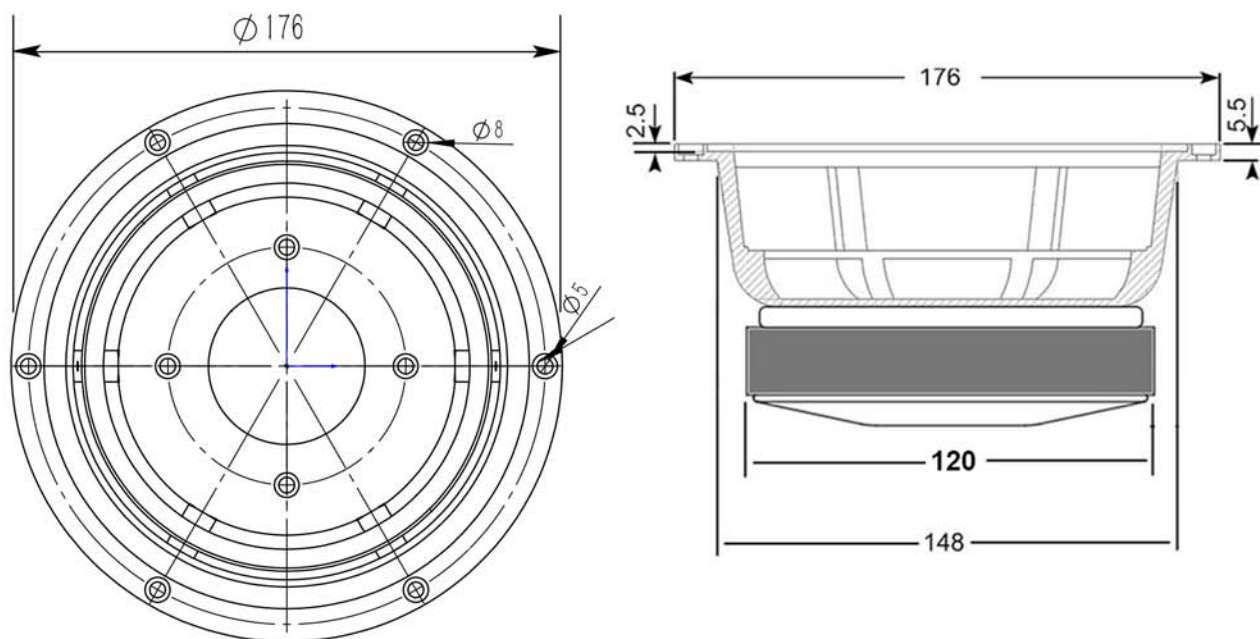
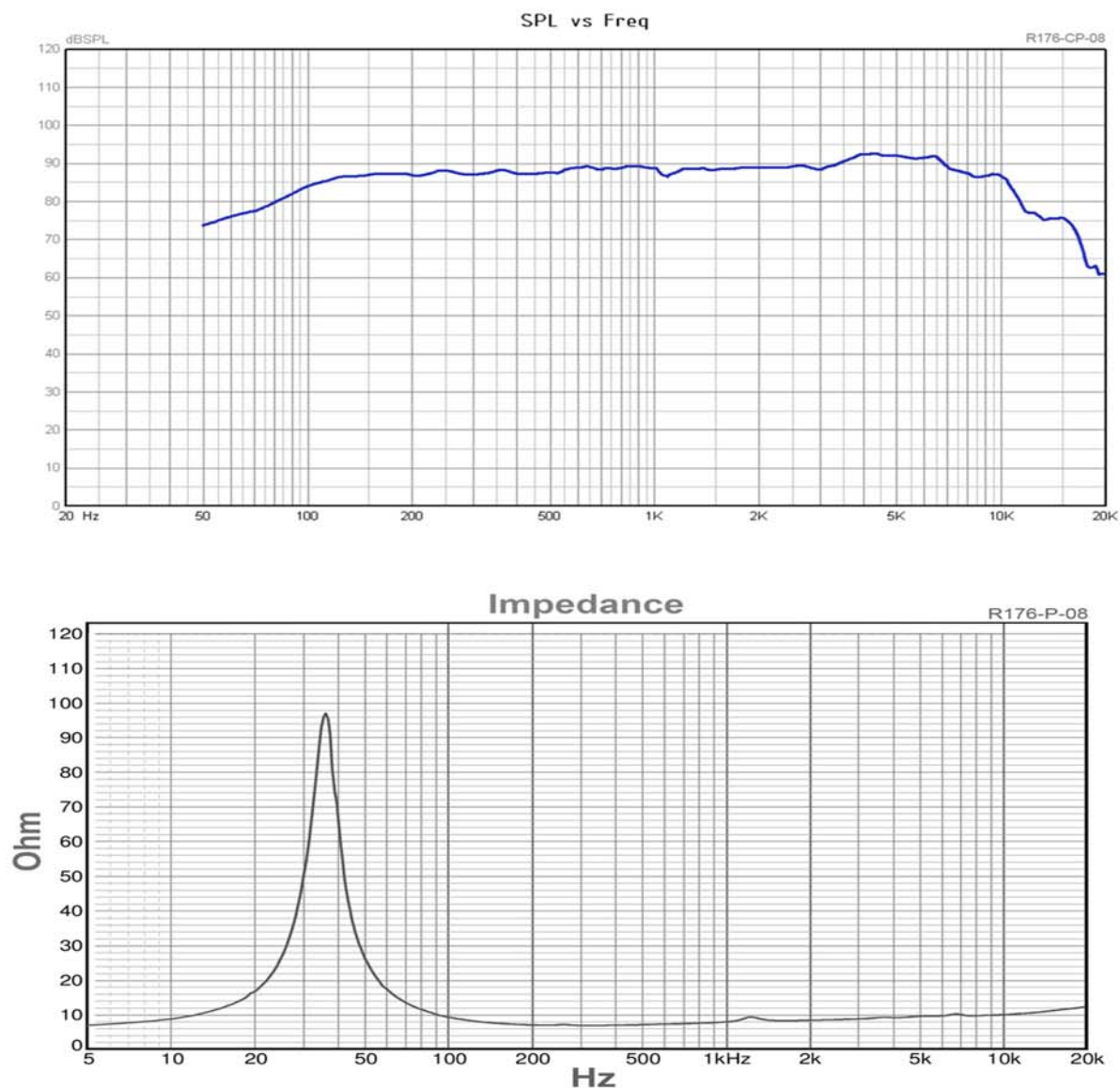


The R176-P-08 mid-woofer features a proprietary non-pressed Pulp & Carbon Fiber composite cone. Extended bass and silky smooth mid-range makes the R176-P-08 mid-woofer the perfect choice for studio and hi-end home audio applications.



A large 39mm CCAW voice coil wound on a perforated fibreglass former produces high stability, exceptional power handling and excellent efficiency. This is augmented by an ultra-low distortion magnet assembly with aluminum stabilizing ring and extended copper cap on the pole. R176-P-08 is finished in a generously ventilated cast aluminum chassis and a flat Conex spider for proven durability.



TS Parameters

Domain= Free Air
Revc= 6.300 Ohm
Fr= 36.000 Hz
Sd= 132.000 cm²
Vas= 26.621m M³
Cms= 1.090m M/N
Mms= 17.672 g
BL= 7.896 T·M
Qms= 5.258
Qes= 0.368
Qts= 0.344
Levc= 39.931m mH
No= 0.33 %
SPLo= 87.00 db
Xmax= 6 mm
Continuous Power = 75w (IEC 268-5)



Precision Engineered - Rigorously Tested - Meticulously Manufactured